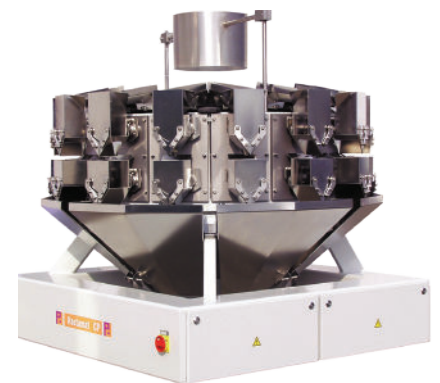


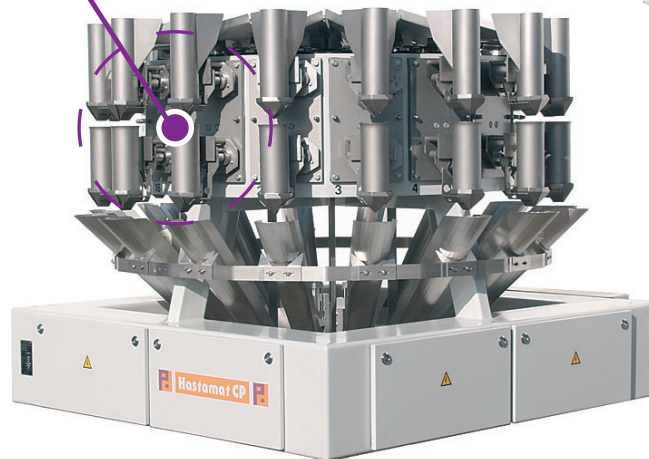
CP-series.

Multihead weighers

Our multihead weighers of the CP series weigh and count lumpy products - from snacks and sweets via granulates to metal and plastic parts.



Standard



For stick-shaped products

Function.

- > Controlled product feeding through elevators, bucket conveyors, belts, vibration systems
- > Distribution via central distribution plate to the vibrating chutes, transport to the storage bins
- > Transfer to the weighing bins for weighing
- > Synchronized transfer to the packaging machine

Safe.

- > Automatic adjustment of the product distribution
- > Stepping motor drives on the storage and weighing bins
- > Electronic monitoring of all motions and positions of the flaps
- > Easy operation with graphic menu guidance on a multilingual colour touch screen

Flexible.

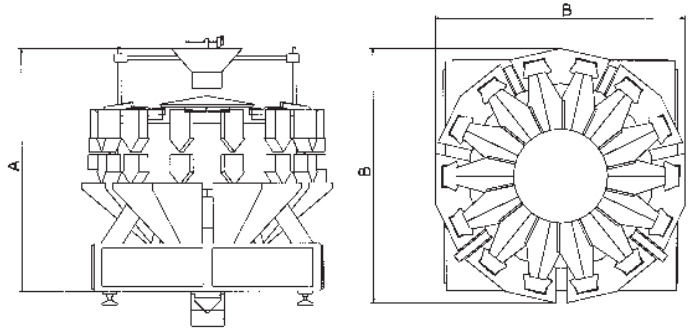
- > Suitable for the widest range of products
- > Easy conversion for weighing stick-shaped products
- > Modular design
- > Digital vibration drive control
- > Capable of handling a mixture of different product components

Efficient.

- > Operational data collection and storable statistics
- > Easy storage of product-related recipes
- > Easy troubleshooting with a plain-text display
- > Long-lived maintenance-free drives
- > Short cleaning times through Sanitary Design, sealed construction, quick exchangeable size parts

CP-series.

Multihead weighers



Technical data:

All indications are depending on product, dosing, film, production and ambient conditions. Technical modifications are subject to change.

Type	Number of weighing bins	Approx. measurements		Max. output
		A	B	
CP-10	10	1.600 mm	1.300 mm	80 weighings/min.
CP-14	14	1.700 mm	1.500 mm	120 weighings/min.
CP-16	16	1.700 mm	1.500 mm	160 weighings/min.
CP-20	20	2.000 mm	1.800 mm	180 weighings/min.
CP-16-M16 (Memory)	16	2.000 mm	1.800 mm	200 weighings/min.
CP-16-S32 (Sticks)	16	1.200 mm (no hopper)	1.600 mm	200 weighings/min.
CP-20-M40 (Memory)	20	1.800 mm	1.800 mm	240 weighings/min.
CP-24-M24 (Memory)	24	2.400 mm	2.400 mm	200 weighings/min.

Product feeding:

Through feeding conveyor or vibration chutes

Design:

10, 14, 16, 20, 24 weighing heads, as well as 16- and 24-head-weigher in Memory-design

Bin volume:

Product specific

Material:

Stainless steel for all parts in contact with product

Protection:

IP 54

Storage:

100 recipes (upgradeable)

Control:

Industrial PC with coloured Touch Screen and integrated error diagnosis system and statistic programme

Connected load:

3,3 kW

Power supply:

230/400 V, 3 Ph, N, PE, 50/60 Hz

Product specific adaption possibilities:

- > Central distribution plate (decline, size, drive)
- > Transport chutes
- > Dosing and weighing bins
- > Product slides and collecting bins
- > Surface of parts in contact with product (e.g. coating, material)

Additional equipment:

- > Multi-component design for weighing of different products on one weigher
- > Control of product feeding through:
 - distribution plate with weighing system
 - optical filling level control of product
- > special design for stick-shaped products
- > execution in stainless steel
- > execution for wet and low temperature environment
- > special transfer or distribution devices for tray and can filling



HASTAMAT
PIEPENBROCK GROUP